



# OUR FLAGSHIP FACILITY

Wasco's Kuantan pipe coating facility - one of the world's most advanced coating facilities - is strategically located adjacent to major shipping routes in the South China Sea. This facility offers complete anti-corrosion coatings, concrete weight coating, internal flow assurance coating, thermal insulation coating, custom coatings and cathodic protection anodes, all in one location. The Kuantan facility also boasts a dedicated pipe storage area and advanced pipe asset tracking system, while its teams are well versed in sorting out logistical matters from the pipe mill to pipe installation locations. It also incorporates advanced HSE features.

## Plant Capabilities

	Outer Diameter (")		Length (m)		Application Process
	min.	max.	min.	max.	
<b>Anti Corrosion</b>					
3LPE	4.0"	60"	9m	24m	Spray and Extrusion
3LPP	4.0"	60"	9m	24m	Spray and Extrusion
FBE	4.0"	60"	9m	24m	Spray
DFBE	4"	60"	9m	24m	Spray
AE	4"	48"	9m	13m	Spray and Wrap
<b>Concrete Weight Coating</b>					
Impingement	4"	60"	9m	12.8m	Impingement
Flow Assurance Coating					
Multi-layer polypropylene	4.0"	30"	9m	24m	Spray and Extrusion
Glass Syntactic Polyurethane	4.0"	30"	no limit	13m	Injection Mould
Pipe-in-Pipe	4"	30"	9m	13m	Foaming
Internal					
Internal Epoxy Coating	4"	60"	9m	19m	Spray
internal preservation linepipe	4"	60"	9m	19m	Spray
<b>Custom Coating</b>					
Custom Coatings	4"	48"	no limit	8.5m	Spray
Hanger flanges	4"	60"	no limit	8m	Spray
3 coat systems	4"	48"	no limit	8.5m	Spray
HSS	4"	60"	no limit	13m	Manual
AE bends	4"	60"	no limit	13m	Manual
CWC bends	4"	60"	no limit	13m	Gunnite
Internal preservation bends	4"	60"	no limit	8.5m	Blast
pipe in pipe bends	4"	30"	no limit	8.5m	Foaming



## Accreditations

- ▶ **ISO-9001:2008:**  
Quality Management System
- ▶ **ISO 14001:2004:**  
Environmental Management System
- ▶ **OSHAS 18001:**  
Occupational Safety and Health Management System
- ▶ Target to go for **ISO17025**  
Laboratory Certification by 2015.

\* ALL TYPE OF FLANGES CAN BE COATED INTERNALLY AND EXTERNALLY  
IE:- FLANGES, ELBOWS, TEE PIECES, REDUCES, END CAPS, PIPE SPOOLS. IT CAN BE COATED EITHER WITH POWDER OR LIQUIDE EPOXY.

## Access Method

### Truck

Located within the confines of Kuantan Port, trucking route to plant site is approximately six kilometers on well paved asphalt roads. Trucking services to and from Singapore, Johor Bahru, Port Klang and Thailand are readily available from local transportation companies.

### Marine

Multiple load in and load out operations are also possible with Wasco's exclusive jetty and crane, if required. This facility includes 3 multi-purpose cranes with 40 tones of capacity each, and is an all weather deep sea commercial port. The port handles hundreds of thousands of tones of linepipes per annum and has developed into one of the world's leading ports for the import of bare steel and re-export of coated pipes. It has 725m of multipurpose berth, 400m of container berth, 1,510m of liquid/chemical berth and 140m Service Jetty for pipe barges. Located on the east coast of Peninsular Malaysia, frequent feeder vessels ply Kuantan Port from Singapore, Port Klang and Tanjung Pelepas Port where container vessels call.



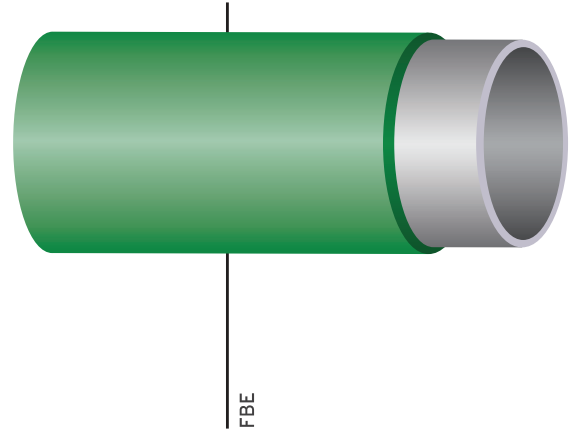
# Fusion Bonded Epoxy

## Operating Conditions

FBE is a powder coating suitable for application to Water, Oil and Gas pipelines of all diameters. Used for service temperatures up to 100°C in dry conditions and a maximum of 80°C when wet. Consult PPSC for guidance on use. FBE has been used successfully as a standalone pipe coating system for over 30 years. FBE is also the primary layer in many other coating systems such as 3 layer polyethylene and 3 layer polypropylene systems.

## Application and Standards

FBE is applied by electrostatic spray to the heated pipe. Wasco Coatings applies FBE in accordance with recognized international standards such as CSA Z245.20. NACE RP0394 etc, customer specifications. Where required Wasco Coatings can provide details of in house specifications for this product to help develop the coating specification.



## Typical Properties

Description	Reference Standard	Typical Value*
Cathodic Disbondment	CSA-Z245.20-02 (12.8) 24 hours, 3.5V, 65°C 28days, 1.5V, 20°C	1.5 to 2.5 2.5 to 3.5
Adhesion	CSA-Z245.20-02 (12.14) 75°C, 24 hours	Rating 1 or 2
Impact resistance	CSA-Z245.20-02 (12.12)	>3.0 J
Hardness	Shore D ASTM D2240-97 60	Average 90
Flexibility	CSA-Z245.20-02 (12.11) 3°/PPD @-30°C	Pass
Minimum Pipe Diameter		4.5"
Maximum Pipe Diameter		60"
Minimum Pipe Length		5.0 m
Maximum Pipe Length		24.4 m
Minimum Operating Temperature		-40°C
Maximum Operating Temperature		100°C

\*Typical values are quoted but may vary as a result of surface treatments and materials used.



## CORPORATE

**WASCO ENERGY  
GROUP OF COMPANIES**  
Suite 19.01, Level 19,  
The Gardens North Tower,  
Mid Valley City,  
Lingkaran Syed Putra,  
59200 Kuala Lumpur  
t +603 2685 6800  
f +603 2685 6999  
e enquiry@wascoenergy.com

## MANUFACTURING PLANTS

**Asia  
Pipe Coating Plant and Anode  
Foundry**  
Sub Lot 2, Kawasan Perindustrian  
Miel,  
Gebeng, KM 25, Jalan  
Kuantan-Kemaman,  
P.O. Box 240, 25720 Kuantan,  
Pahang Darul Makmur, Malaysia  
t +609 5838456  
f +609 5838459  
e enquiry@wascoenergy.com

**Asia  
Pipe Manufacturing**  
No. 1, Jalan 4, KKIP Timur,  
Industrial Zone 13 (IZ13),  
Kota Kinabalu Industrial Park,  
88460 Kota Kinabalu, Sabah  
t +6088 491 377  
f +6088 491 387

**Europe  
Pipe Coating Plant**  
Terminalveien 22,  
8624 Mo i Rana, Norway

**USA  
Deepwater Insulation Plant**  
4611 Curtis Lane,  
New Iberia,  
LA 70560, USA